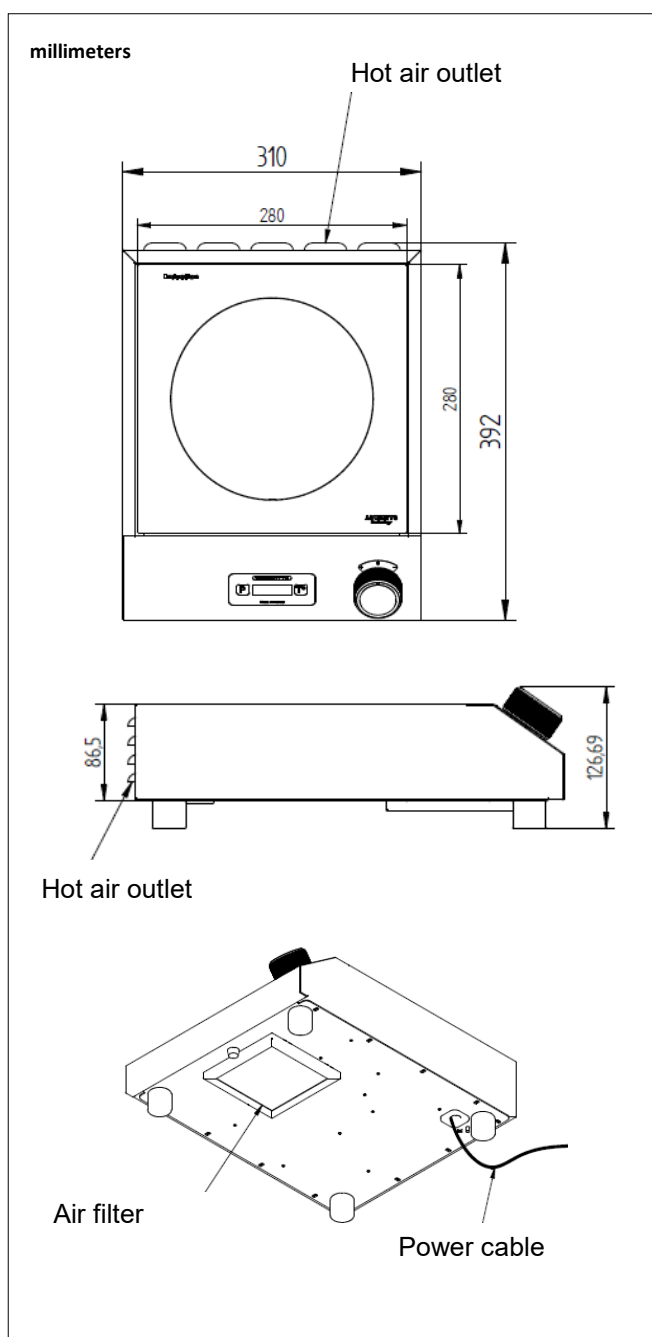


TECHNICAL FEATURES

External structure	AISI 304 stainless steel
Dimensions	310x392x126
Power	3500W
Cooking surface	Vitroceramic glass.
Control panel	2 sensitive touches + knob
Amp	16A
Functions	(On/Off by using knob, 4 digits display (power/temperature). Power level setting with knob. From 30°C to 250°C with 1°C steps. From 100 to 2500 W. From 1 to 30 power level.
Power supply	220-240V AC 50 - 60 Hz
Weight	4.4 kg / 9.70 lbs.
Standards	Complies with current standards (electronic device safety, CEM).
Details & Options	Including a power cord and a washable air filter (wash regularly).



ADVENTYS
Route de Pagny - 21250 Seurre - France
www.adventys.com
sales@adventys.com
T: +33 3 80 20 46 15

Important note

Adventys reserves the right to modify specifications without notice.